

Propane Lantern Maintenance



Replacing the mantel

- ✓ Unscrew the ball nut on the top of the lantern, and remove the ventilator and glass globe.
- ✓ Remove the old mantel and strings holding it onto the burner.
- ✓ Place lantern in base
- ✓ Tie mantle around groove in burner and cut off ends of string ¼” from knot.
- ✓ Light bottom of mantle evenly (move match back and forth) and leave to burn. Once mantle has been burned it is very fragile. Be careful not to touch it with your finger or with a match.
- ✓ Replace the glass globe, ventilator and ball nut.

Attaching the Propane Cylinder

- ✓ Be sure the fuel valve is off.
- ✓ Take Lantern outdoors.
- ✓ Remove plastic cap from top of propane cylinder and screw cylinder into regulator hand tight.
- ✓ Inspect for leaks. If you smell gas: Do not attempt to light appliance; Extinguish any open flame; Disconnect from fuel supply.
- ✓ Set lantern into base

Lighting the lantern

- ✓ Always light and use your lantern outdoors; never in house, camper, tent or other unventilated or enclosed areas.
- ✓ Push a lit match through lighting hole and turn fuel valve to high.
- ✓ Flames other than at mantles indicate flooding or a leak. Turn fuel valve off, allow flames to burn out and lantern to cool. Carefully review instructions and correct problem before relighting lantern.
- ✓ Adjust fuel valve to desired brightness.

To turn off

- ✓ Turn the lantern off by turning the fuel valve to “OFF”.

To Store

1. Remove propane cylinder and replace plastic cap on cylinder.
2. Place lantern on base and pack in carrying case.
3. When clean and dry, place your lantern and carrying case in a plastic bag and seal it with a rubber band to keep dust and insects out.

To Clean

- ✓ Wipe clean with soft cloth and mild household cleaner. Do not use abrasives.

Empty cylinder disposal

Residential recycling programs are not yet available in most areas. Most local steel recyclers will not recycle propane cylinders, as there is not currently a means to guarantee that the bottle is empty.

To properly dispose of an EMPTY 16.4 oz. propane cylinder:

- Take the EMPTY cylinder outdoors away from any open flame or ignition source as they can ignite leaking gas.
- Attach the EMPTY cylinder to an appliance.
- In an outdoor, well-ventilated area, open the control valve on the appliance and light the burner(s).
- Operate the appliance until the flame completely extinguishes.
- Turn the appliance control valve off and let appliance cool.
- Detach the EMPTY cylinder.
- Dispose of the EMPTY cylinder in an OUTDOOR trash container for the next normal trash collection.

Cleaning your Lantern

The benefits of regular cleanings include better fuel efficiency, flame control and no rust or corrosion.

- ✓ Although there isn't a set schedule for cleaning your lantern, you should clean it whenever it is dirty and before storing your lantern at the end of camping season.
- ✓ Under most conditions, lanterns can be wiped out with warm water and dishwashing soap and then dried before storing.
- ✓ After cleaning, put it into a plastic bag, sealing with a twist tie to prevent spiders or other insects from crawling in the unit, which can block the fuel and airflow.

Things to remember

Carry a few spare sets of mantles. Once burned, a mantle is fragile and can be damaged if touched or dropped. Rinse tank occasionally with fresh fuel to remove sediment, gum formations and moisture accumulations.

Remove cylinder and insert lantern body in base for travel and storage.

Store in a plastic bag, sealed with a rubber band or twist tie.

The performance of Propane Lanterns will not be affected by temperatures above 0° F. However, as the temperature drops below 0° F/ -18°C, there will be a gradual reduction of light output down to -20°F/ -29°C where the propane lantern may fail to function.

A small light chain attached to the bail is handy for hanging the lantern at camp.

Four Major Lantern Problems

1. Broken mantle
2. Low fuel level and/or poor pressure
3. Temperature below -20°F/-29° C.
4. Clogged fuel tube.

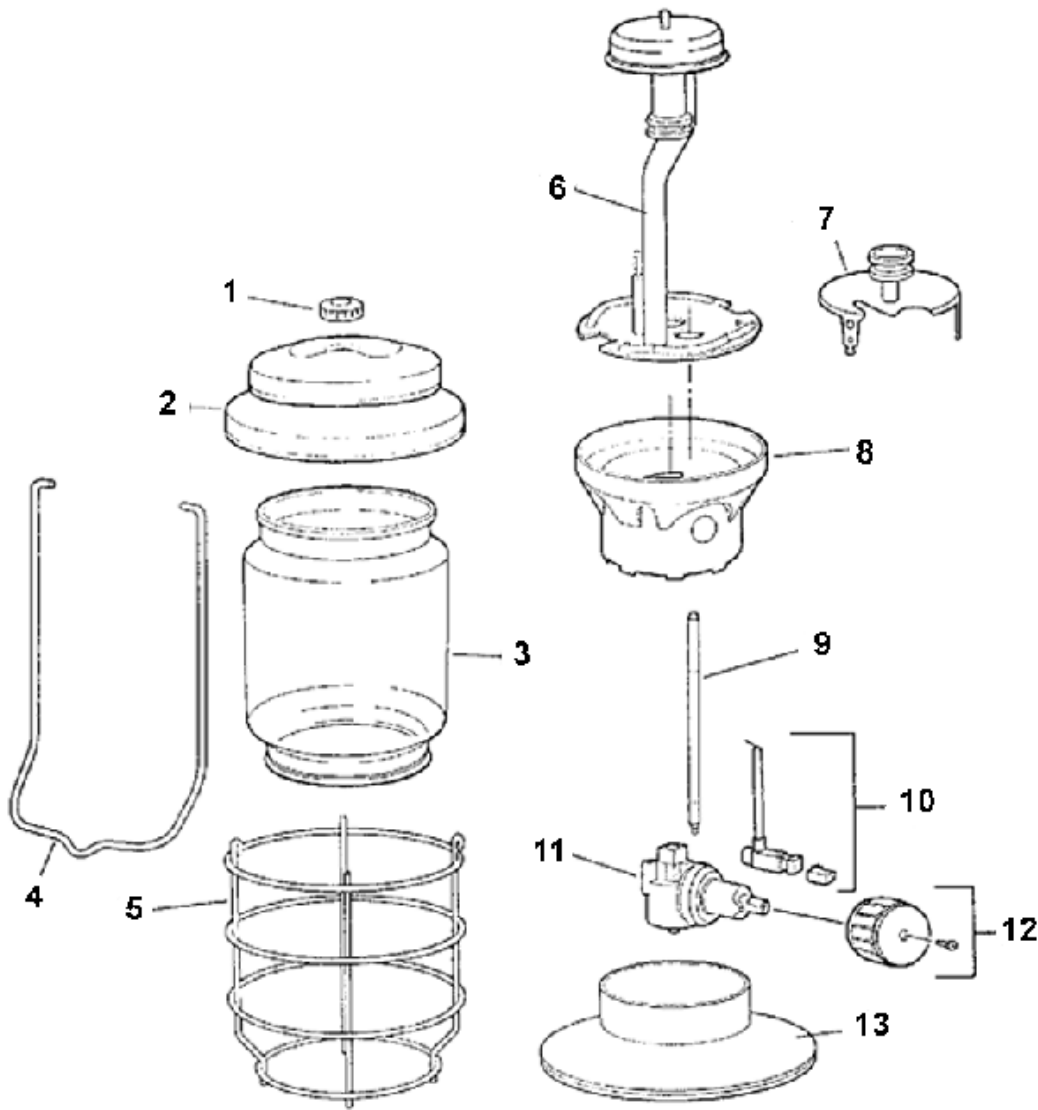
Lantern Troubleshooting

Fuel Leakage:

- At fuel tank: Cylinder cross-threaded or not tight.
- Gasket or seals are damaged.
- Leaky valve.

Reduced Performance

- Lack of fuel: Check cylinder.
- Too cold: Propane appliances are not suitable for use at temperatures below -20°F/-29° C.



Parts List

- 1 VENTILATOR NUT
- 2 VENTILATOR
- 3 GLOBE
- 4 BAIL HANDLE
- 5 GLOBE GUARD
- 6 BURNER ASSY.
- 7 HEAT SHIELD
- 8 COLLAR ASSY.
- 9 TIP EXTENDER
- 10 IGNITER ASSY.
- 11 REGULATOR
- 12 KNOB ASSY.
- 13 BASE ASSY.
- 14 MANTLE #95

Accessories



A distribution tree, available for use with 20 lb Propane cylinders, is popular with standing camps.